

# Assembly Instructions



## ASSEMBLY RATING

The Assembly Rating is a 5-point system that shows the degree of effort needed in assembling a specific product (with 1 being easy and 5 being difficult). For some products, two persons are recommended.

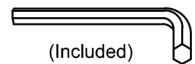
EASY



DIFFICULT

## Tools Required For Assembly:

Allen Wrench



(Included)

Wrench



(Included)

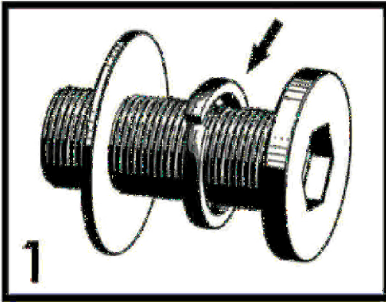


2 PERSONS RECOMMENDED

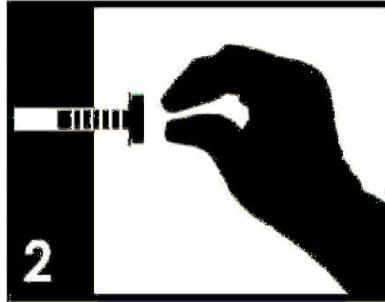
# ASSEMBLY & CARE ADVICE

FOR YOUR FURNITURE TO LAST, CORRECT ASSEMBLY AND PROPER MAINTENANCE ARE NECESSARY. PLEASE FOLLOW THE INFORMATION PROVIDED BELOW TO FULLY ENJOY YOUR FURNITURE.

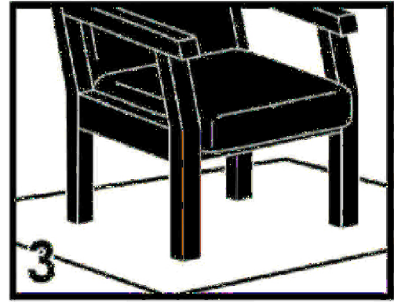
## BASIC ASSEMBLY TECHNIQUES



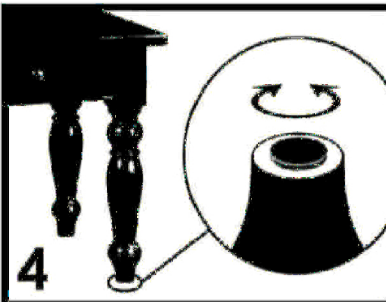
1  
When lock or spring washer is used in an assembly, please make sure the lock or spring washer is placed between the larger flat washer and the head of the screw or bolt.



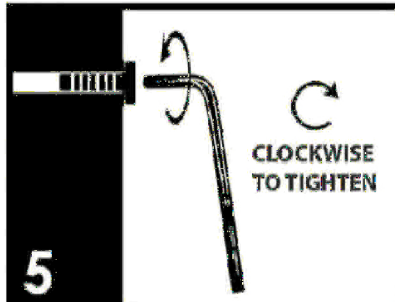
2  
Position each part correctly and insert screws or bolts into their respective holes by hand tighten or using the proper hand tool. Only tighten when step is completed or when instructed to do so.



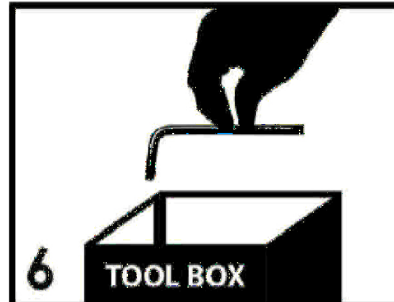
3  
Use cardboard or carpet area when assembling furniture to prevent scratches. Make sure the furniture rests on a flat and level surface with each leg evenly touching the floor.



4  
Some furniture comes with height adjustment knobs underneath each leg. To lower or to raise each leg, you need to turn clockwise or counterclockwise, respectively.



5  
Make sure all parts are properly aligned, then use the appropriate hand tool to completely tighten the bolts or screws. Do not use power tools and do not overtighten.

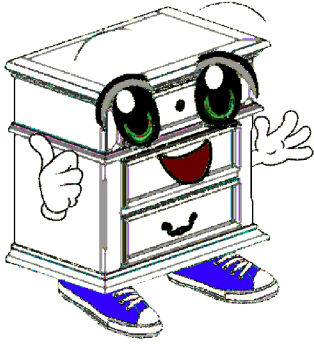


6  
Save the instructions and store the Allen wrench or any supplied tool for later maintenance. After two weeks, check and tighten any loose hardware and repeat again every six months thereafter.

IT IS THE USER'S RESPONSIBILITY TO MAINTAIN THE FURNITURE. THE HARDWARE MAY LOOSEN OVER TIME AND MAY CAUSE THE FURNITURE TO BE WOBBLY AND UNABLE TO SUPPORT ITS INTENDED WEIGHT CAPACITY. THIS MAY LEAD TO COLLAPSE AND MAY CAUSE SERIOUS INJURY.



**FAILURE TO FOLLOW THE GUIDELINES ABOVE MAY RESULT IN INJURY AND/OR PROPERTY DAMAGE.**



Before you begin, please read Page 2 of "Assembly and Care Advice".

And remember, do not tighten until each step is completed or instructed.

### Parts List

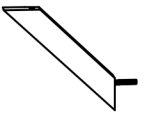
### Hardware List



#1 x 1pc  
Table Top



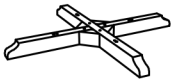
#2 x 1pc  
Lower Panel



#3 x 8pcs  
Support Rail



#4 x 1pc  
Post



#5 x 1pc  
Base



#J x 16pcs  
Wood Dowel Ø10x1-1/8"



#K x 1pc  
Key wrench



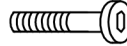
#L x 1pc  
Allen Wrench 4mm



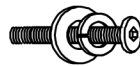
#A x 4pcs  
Bolt Ø5/16" x 2-1/2"



#B x 4pcs  
Bolt Ø1/4" x 2-1/2"



#C x 4pcs  
Bolt Ø5/16" x1-1/4"



#D x 12pcs  
Bolt Ø1/4x1-3/8"



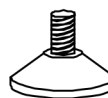
#E x 8 pcs  
Lock washer Ø5/16"



#F x 8pcs  
Flat washer Ø5/16"



#H x 8pcs  
Hex Nut Ø5/16"



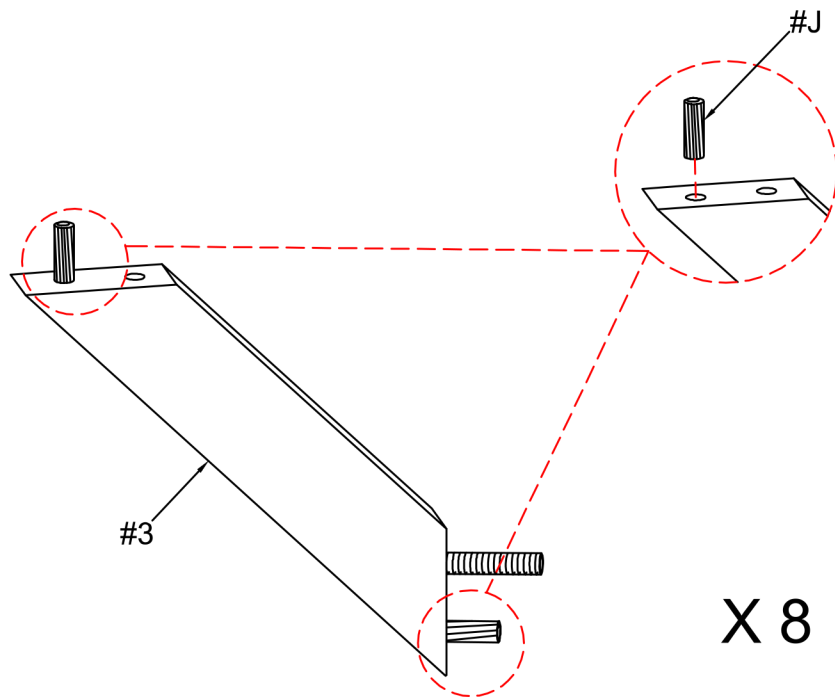
#I x 4pcs  
Leveler Ø1/4"



#1

Insert dowels (#J) to the holes of the support rails (#3).

#J x 2pcs



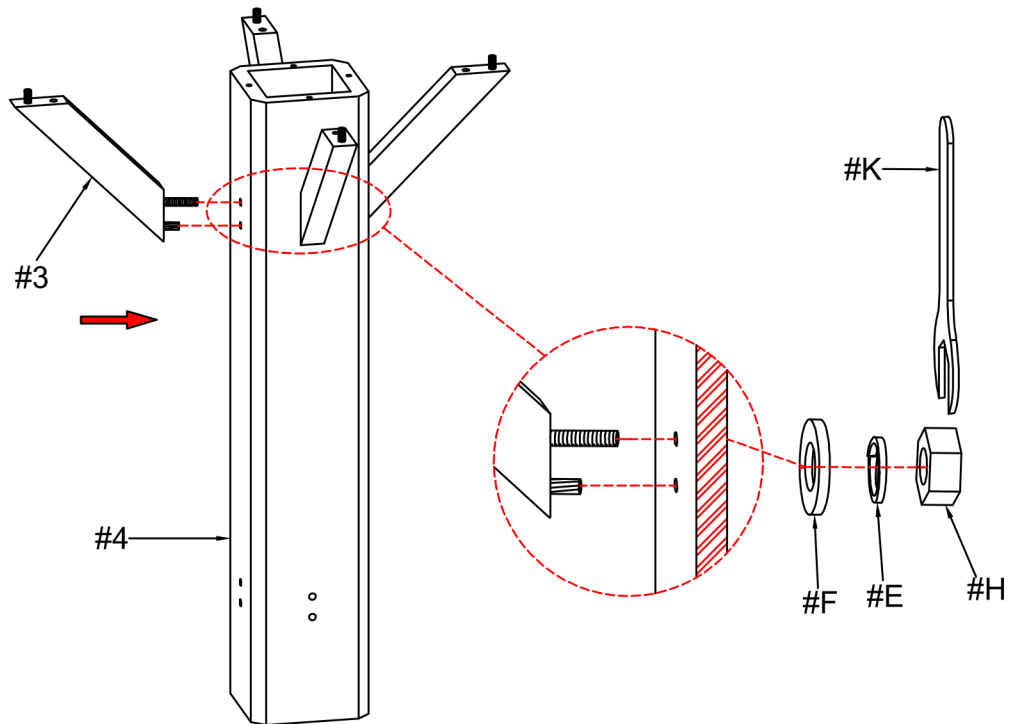
X 8



#2

Align support rails (#3) to the holes of the post (#4), then secure by using hex nut (#H) with washers (#E,F).

#E x 4pcs  
#F x 4pcs  
#H x 4pcs

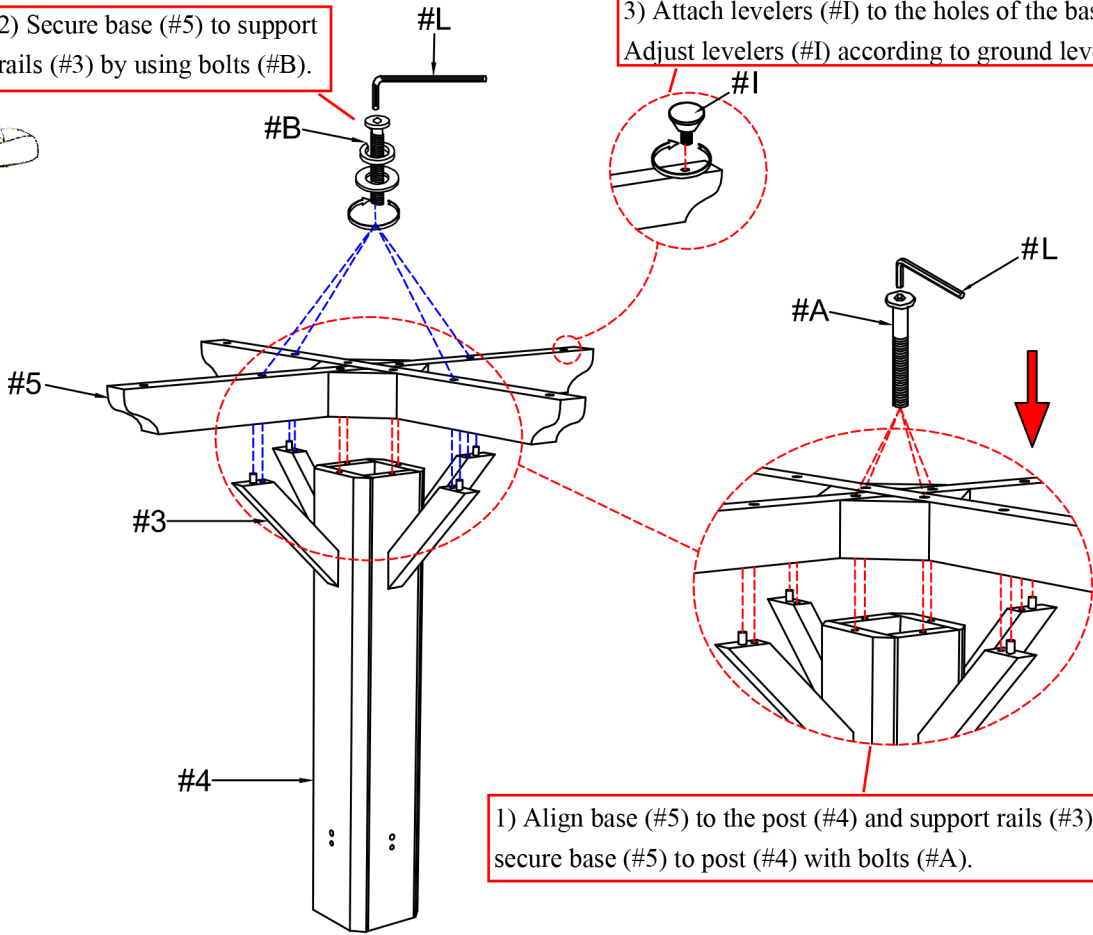




2) Secure base (#5) to support rails (#3) by using bolts (#B).

3) Attach levelers (#I) to the holes of the base (#5). Adjust levelers (#I) according to ground level.

#A x 4pcs  
#B x 4pcs  
#I x 4pcs

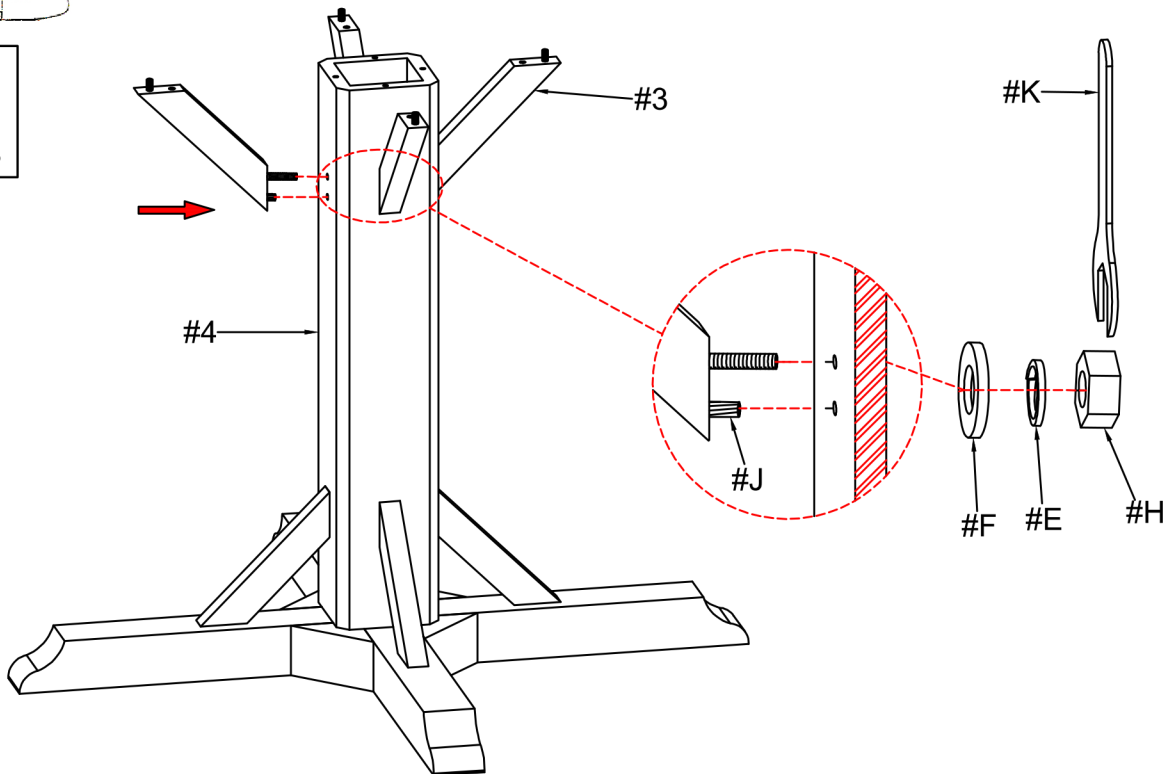


1) Align base (#5) to the post (#4) and support rails (#3), then secure base (#5) to post (#4) with bolts (#A).



Align support rails (#3) to the holes of the post (#4), then secure by using hex nut (#H) with washers (#E,F).

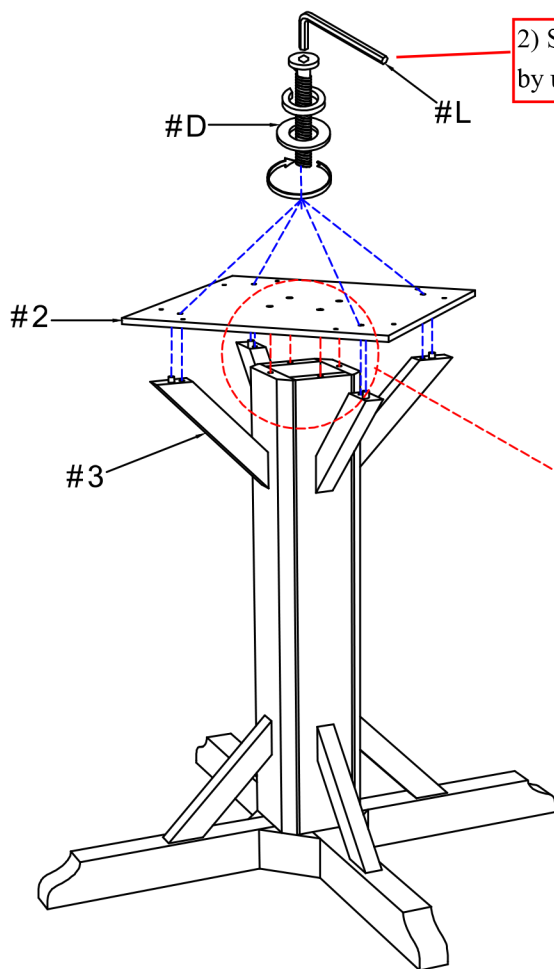
#E x 4pcs  
#F x 4pcs  
#H x 4pcs



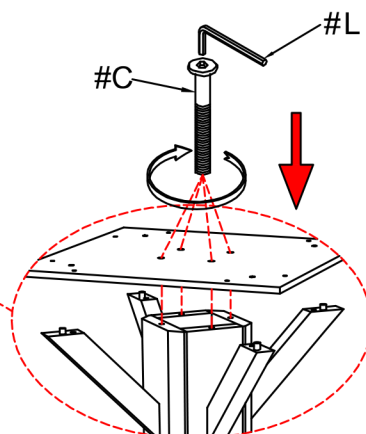


#5

#C x 4pcs  
#D x 4pcs



2) Secure lower panel (#2) to the support rails (#3) by using bolts (#D).

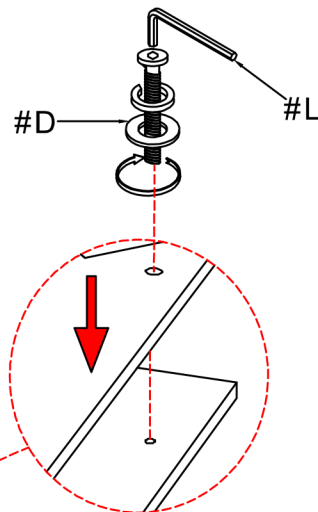
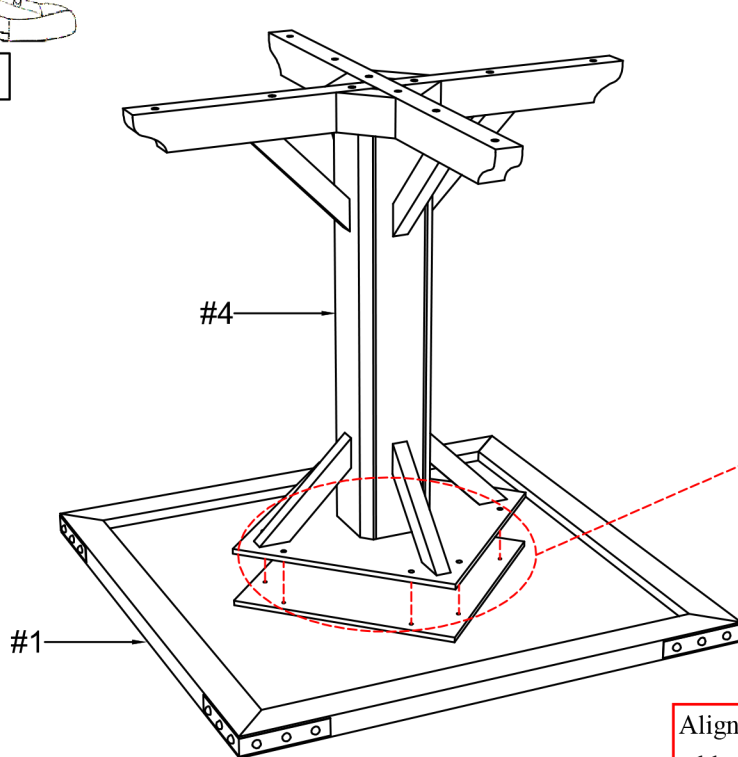


1) Align lower panel (#2) to the holes of the post (#4) and support rails (#3), then secure lower panel (#2) to post (#4) by using bolts (#C).



#6

#D x 8pcs



Align lower panel (#2) to the holes of the table top (#1), then secure by using bolts (#D).